

### Duet 2 Electronics Panel Assembly



Created by:  
Joshua Vasquez

last edited:  
2/19/2020

SCALE: 1:3

SHEET 1 OF 6

2

1

A

A

B

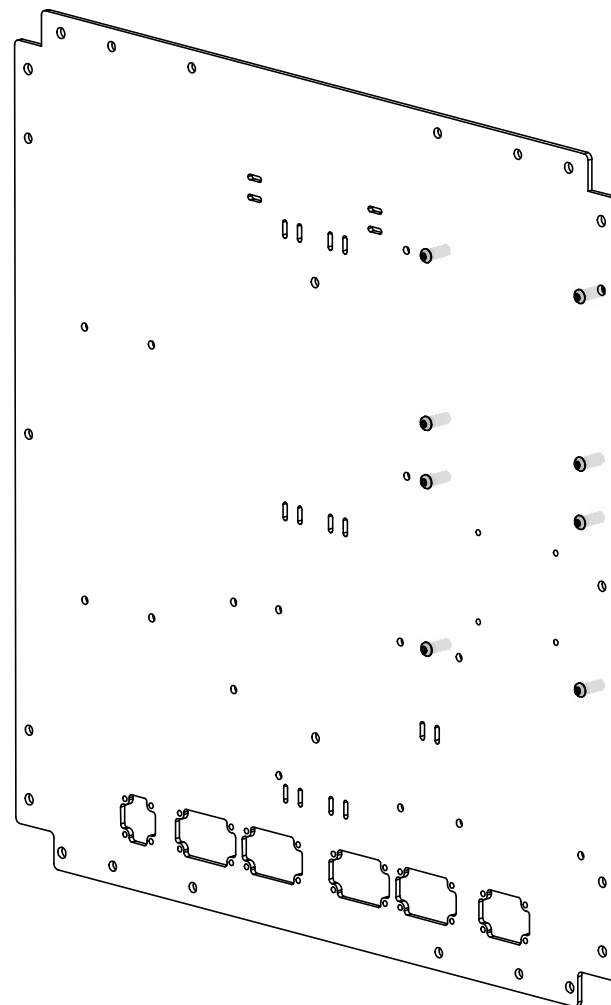
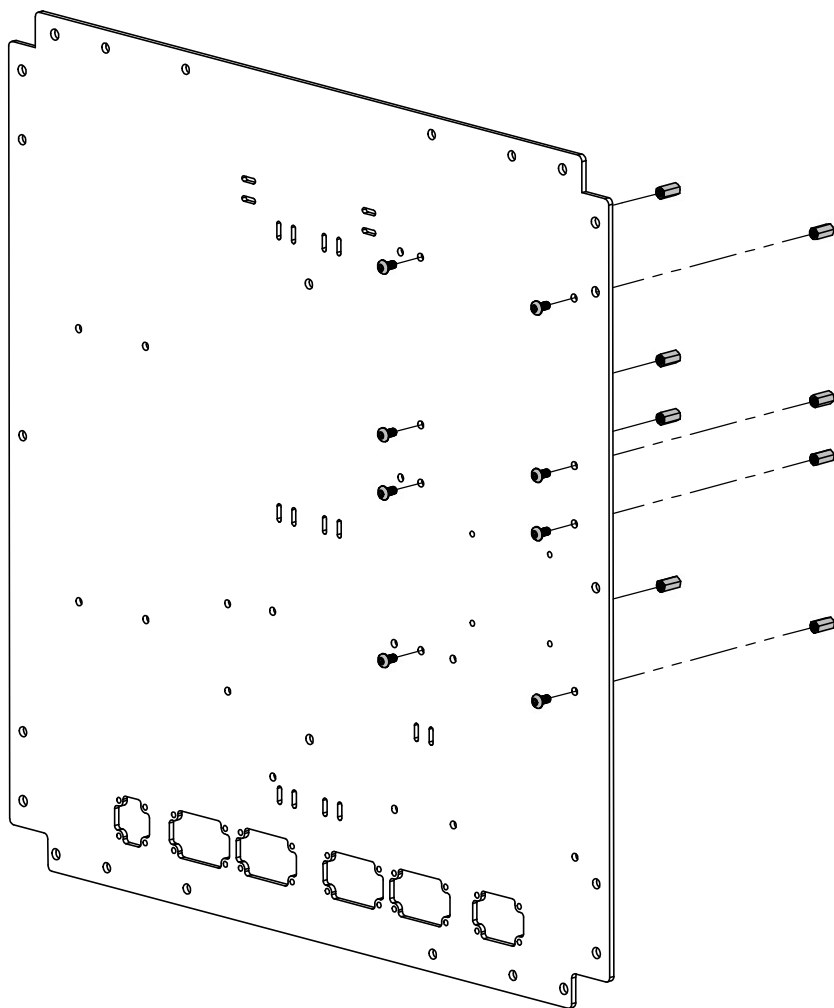
B

2

1

B

B



A

A

ITEM NO.	DESCRIPTION	QTY.
1	Back Panel	1
2	M4 Standoff, 12mm long	8
3	M4 Buttonhead Screw, 8mm long	8

### Duet2 Standoff Installation



Created by:  
Joshua Vasquez

last edited:  
2/19/2020

SCALE: 1:4

SHEET 2 OF 6

2

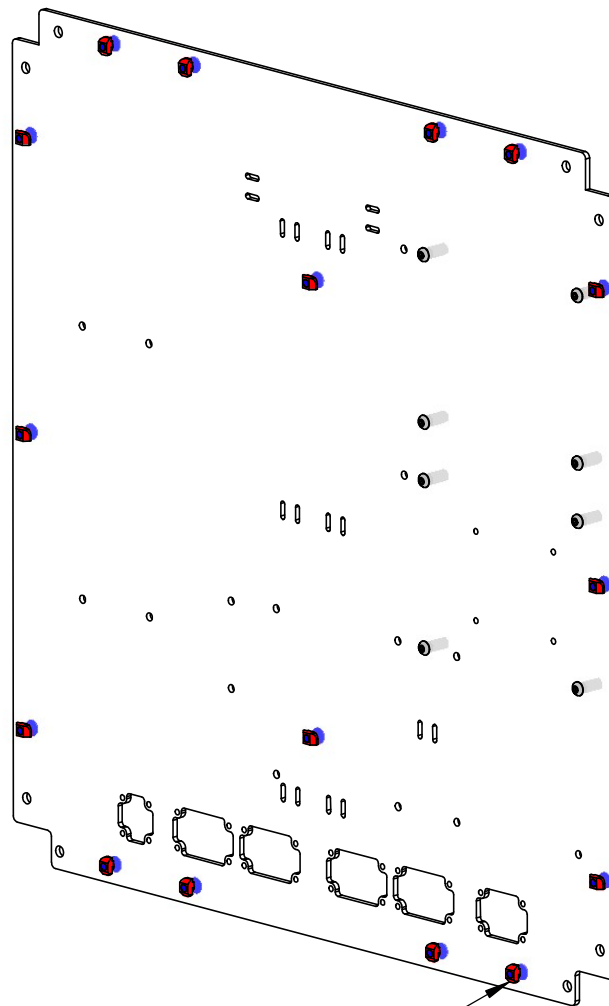
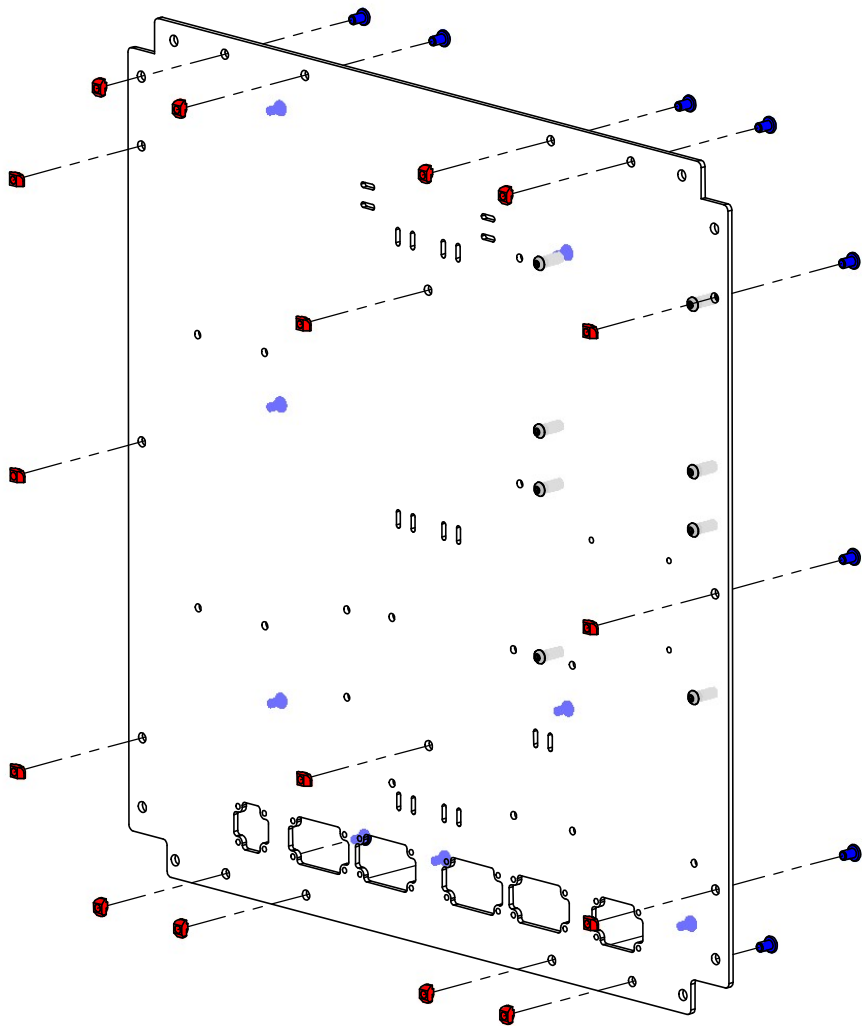
1

2

1

B

B



A

A

Keep these screws loose, only 1-2 turns. They will be fully tightened into the assembly later.

ITEM NO.	DESCRIPTION	QTY.
2	M5 x 0.8 Screw, Low Profile, 8mm	16
3	M5 Drop-In T-Nut for 20x20 Extrusion	16

### Mounting Screw Installation



Created by:  
Joshua Vasquez

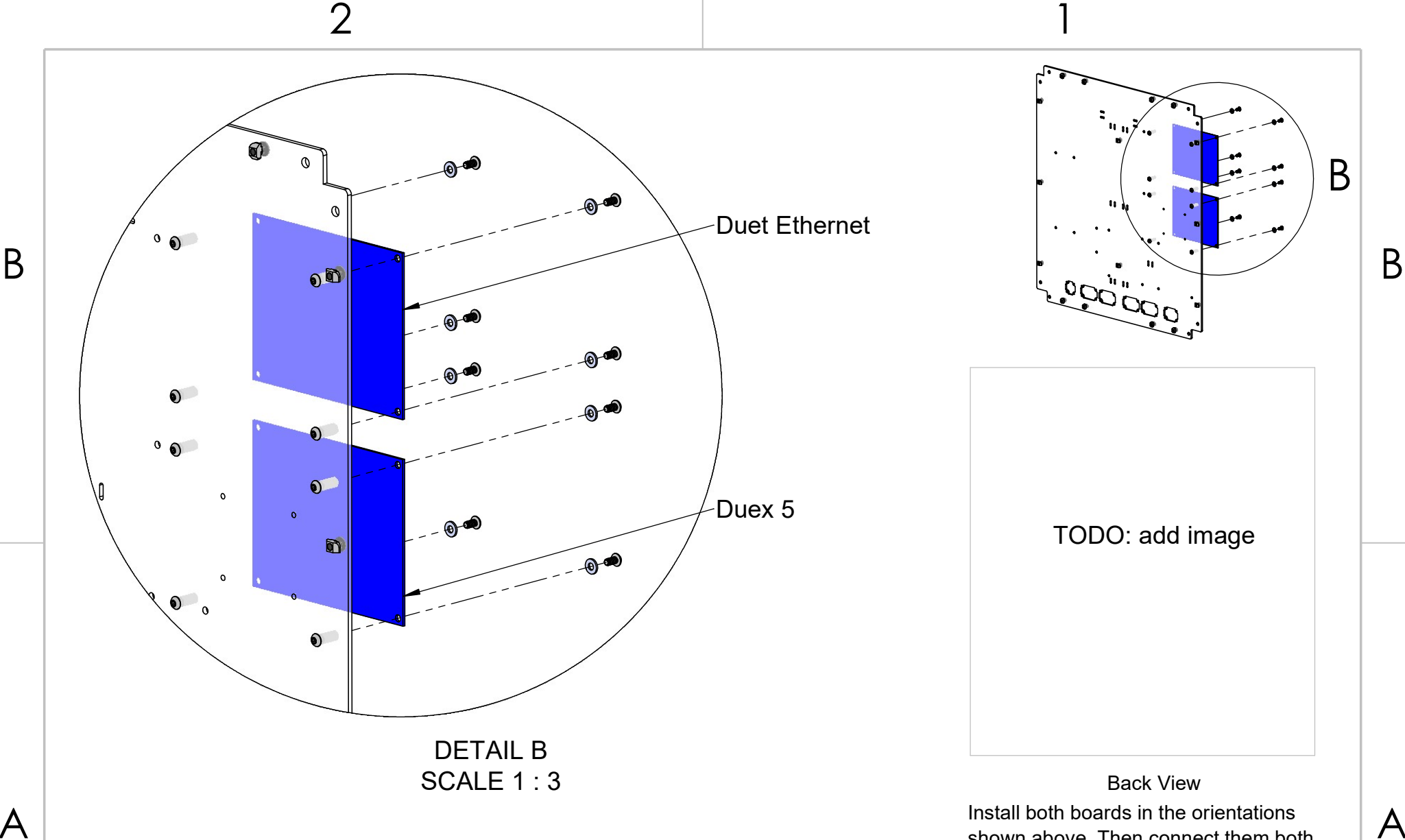
last edited:  
2/19/2020

SCALE: 1:4

SHEET 3 OF 6

2

1



DETAIL B  
SCALE 1 : 3

TODO: add image

Back View

Install both boards in the orientations shown above. Then connect them both with the grey ribbon cable.

ITEM NO.	DESCRIPTION	QTY.
2	Duet Ethernet Expansion Board	1
3	Duet Ethernet	1
5	M4 Buttonhead Screw, 8mm long	8
6	M4 Nylon Washer	8

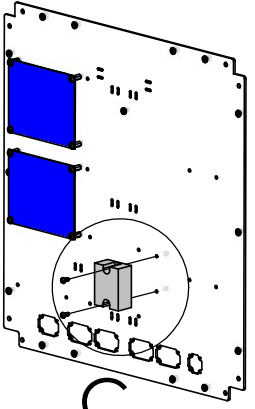
<b>Duet 2 and Duex5 Installation</b>		
	Created by:	last edited:
	Joshua Vasquez	2/19/2020
	SCALE: 1:10	SHEET 4 OF 6

2

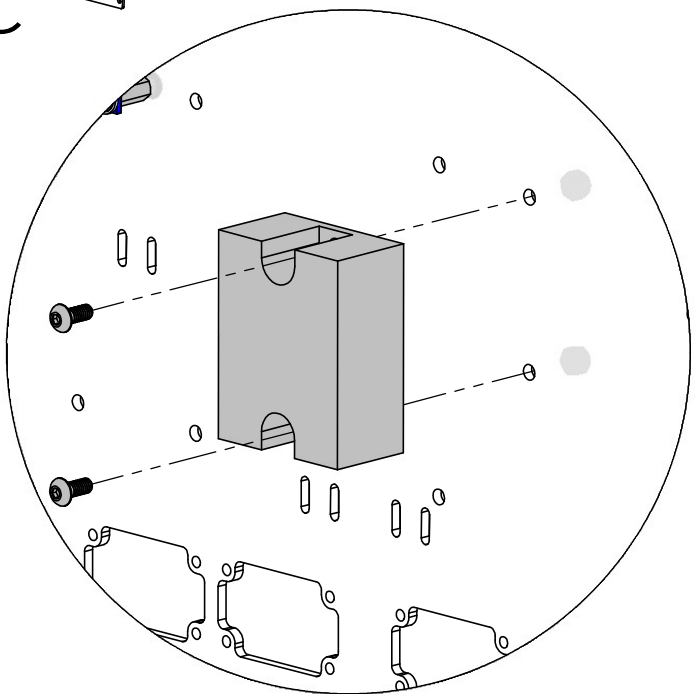
1

B

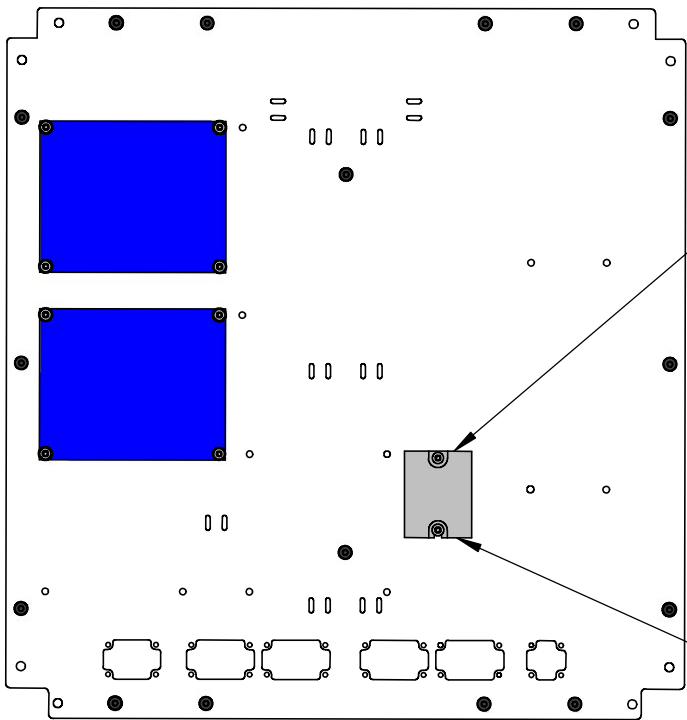
B



C



DETAIL C  
SCALE 1 : 2



3-32V input Side

120V output side

A

A

ITEM NO.	DESCRIPTION	QTY.
6	D2425 Crydom, 3-32V Solid State Relay	1
10	M4 Buttonhead Screw, 10mm long	2
11	M4 Locking Nut	2

SSR Installation



Created by:  
Joshua Vasquez

last edited:  
2/19/2020

SCALE: 1:10

SHEET 5 OF 6

2

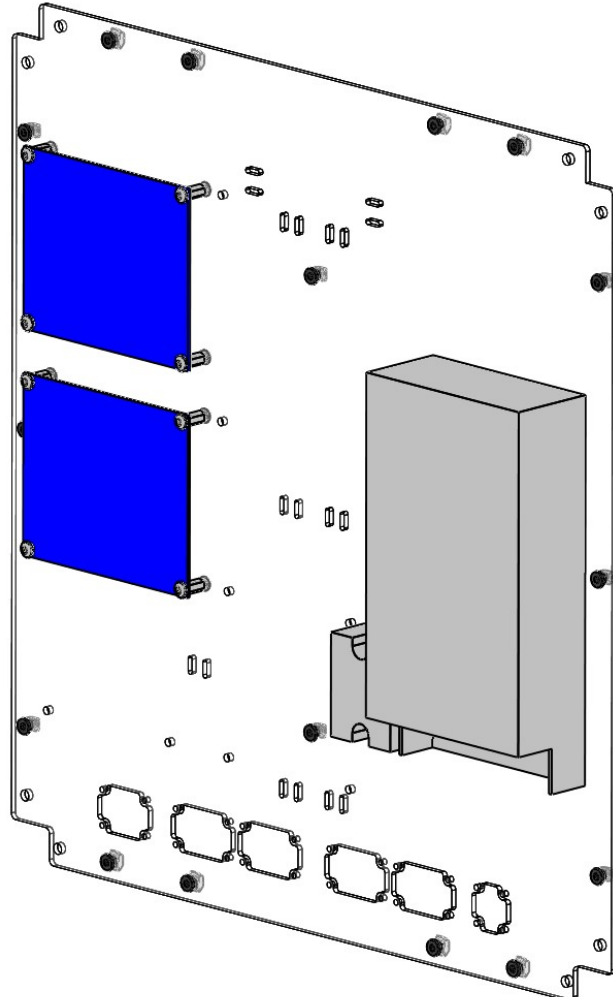
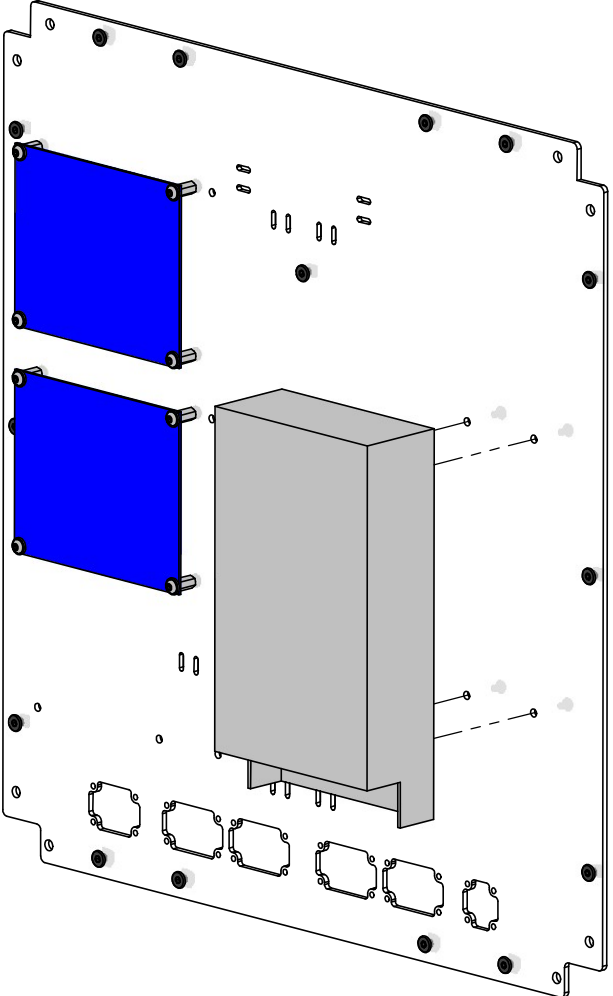
1

2

1

B


B



A

A

ITEM NO.	DESCRIPTION	QTY.
12	24V Power Supply	1
13	M4 Buttonhead Screw, 6mm long	4

<b>PSU Installation</b>		
	Created by:	last edited:
	Joshua Vasquez	2/19/2020
	SCALE: 1:4	SHEET 6 OF 6

2

1